


INSTALLATION INSTRUCTIONS

CEILING PLATES

CMA-105, CMA-110, CMA-115 

The Ceiling Plates are designed for ease of installation with any height of drop ceiling. By using any length of standard NPT 1½” pipe threaded both ends, you can extend the height capabilities to meet your needs.

WARNING: IMPROPER INSTALLATION MAY RESULT IN SERIOUS PERSONAL INJURY!

When mounting Chief Manufacturing accessories, the structural system and mounting method **MUST** be capable of supporting 5 times the combined weight of the total installation.

The maximum weight to be installed on the ceiling plate is 500 pounds (226.8 Kg).

Unpack and check contents:

- (1) 4” Flat Ceiling Plate CMA-105, 8” Flat Ceiling Plate CMA-110, or 6” Flat Ceiling Plate CMA-115
- (1) #10-24 Socket Set Screw
- (1) 3/32” Hex Wrench

1. Securely install the ceiling plate to the ceiling joists. (**SEE WARNING ABOVE**)
Bolt hole spacing is shown on Figure 1 (CMA 105), Figure 2 (CMA-110) and Figure 3 (CMA-115).
2. Thread your standard NPT 1½” pipe into coupler, tighten securely.
3. Install and securely tighten the #10-24 socket set screw.
4. Follow the Ceiling Mount Instructions for mating components or mounts.

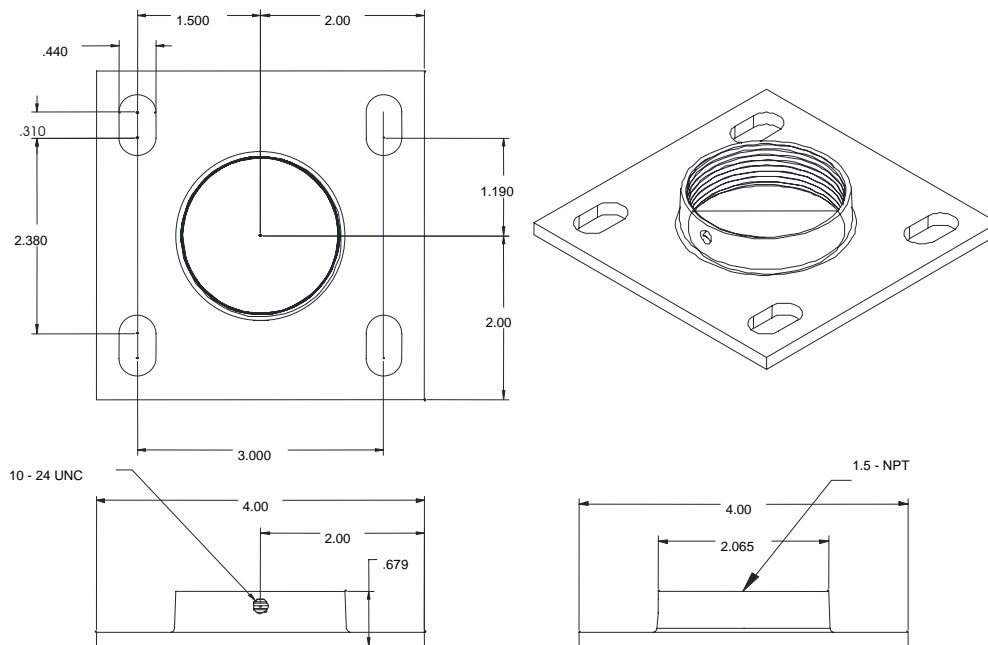


Figure 1. CMA-105 Dimensions



CHIEF MANUFACTURING INC.
1-800-582-6480 952-894-6280 FAX 952-894-6918
12800 HIGHWAY 13 SOUTH, SUITE 500
SAVAGE, MINNESOTA 55378 USA

8803-000011
2003 Chief Manufacturing
www.chiefmfg.com
01/03

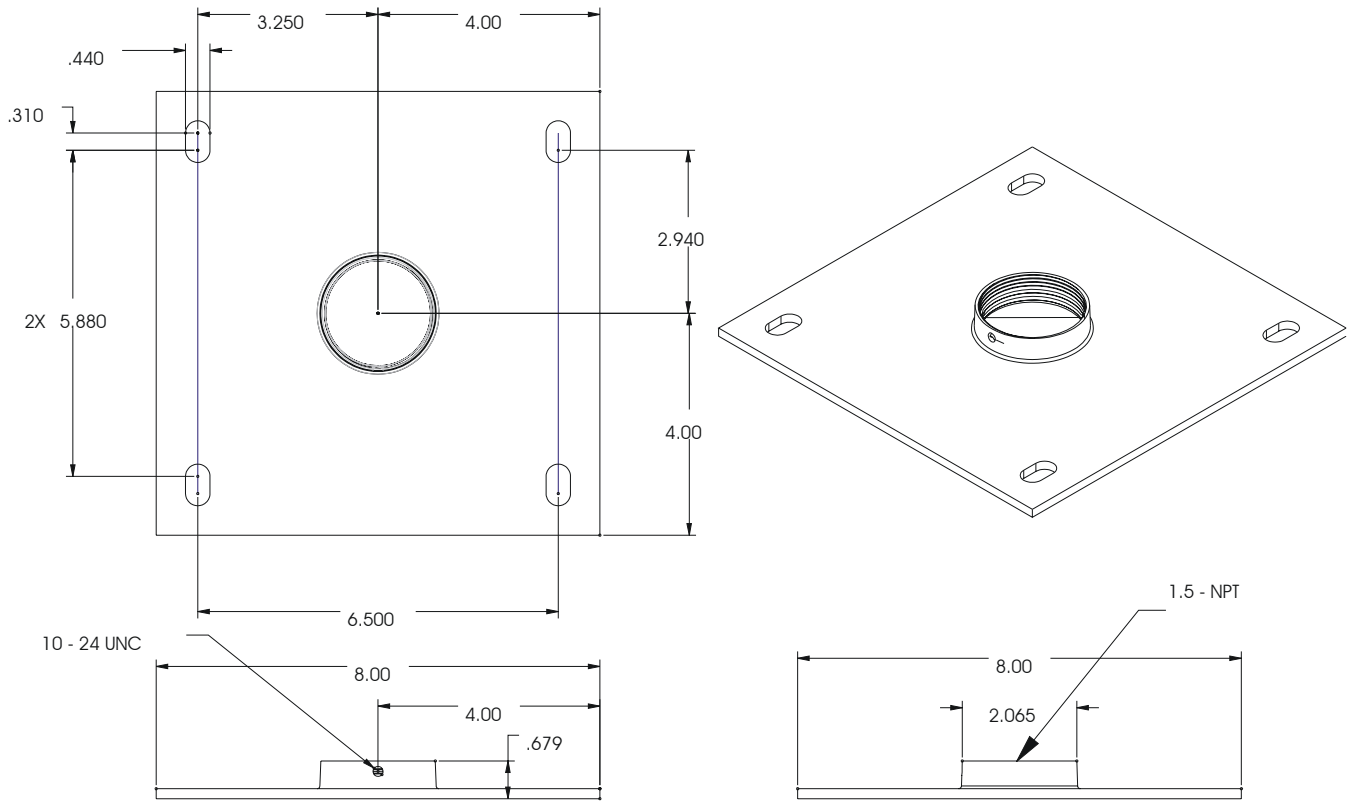


Figure 2. CMA-110 Dimensions

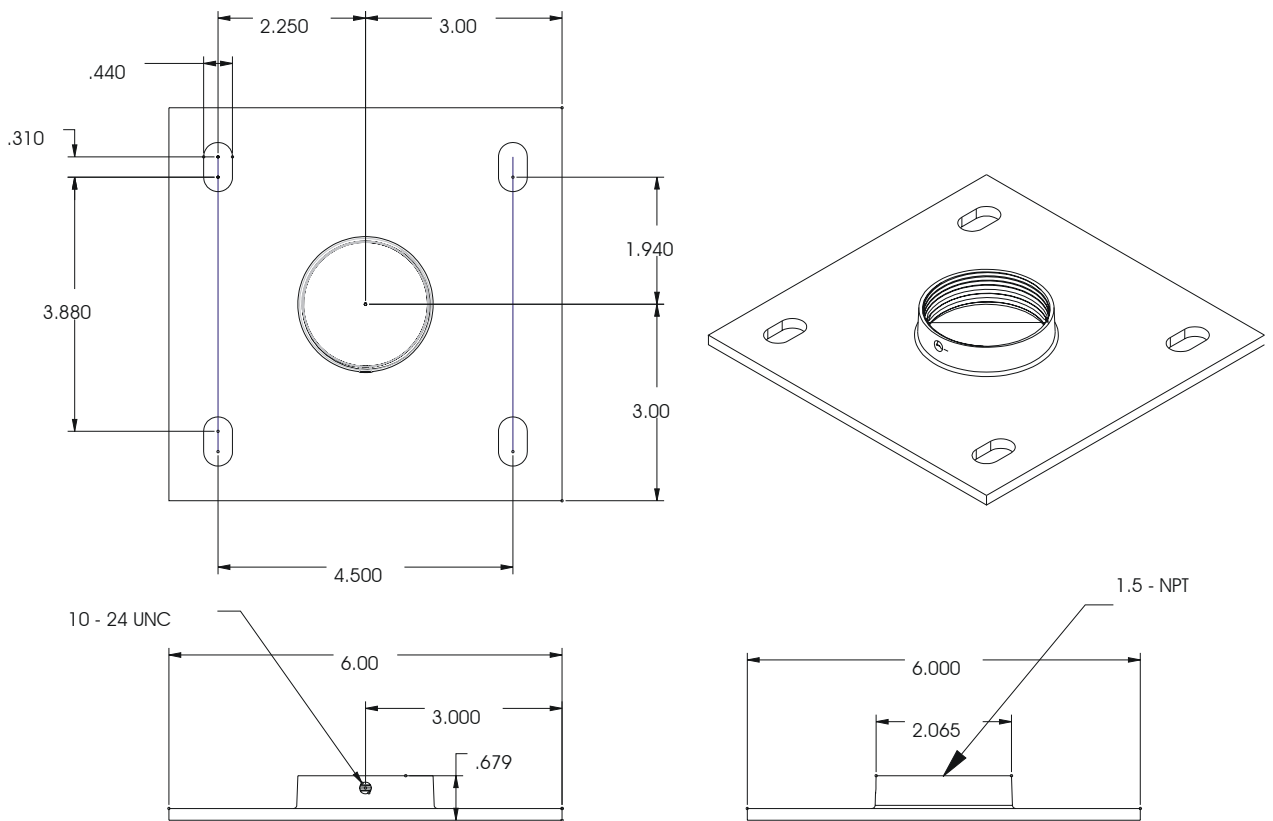


Figure 3. CMA-115 Dimensions